

110 kg / 3,3 m

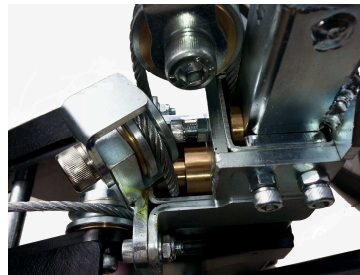
Small and portable, it is easily transported for action immediate on job site.

The AL 330 is essential for any installation on job site and also in the workshop thanks to its various accessories

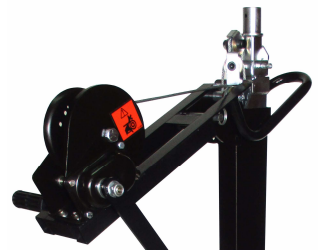
- Anti-torsion steel mast
- Steel pulleys
- Immediate use on job site
- Manual winch with automatic brake
- Easy transportation in any vehicle
- Feet with wheel Ø 100 mm, swivel and equipped with a brake
- Carry handle
- Four transport wheels including two swivel
- Many accessories available



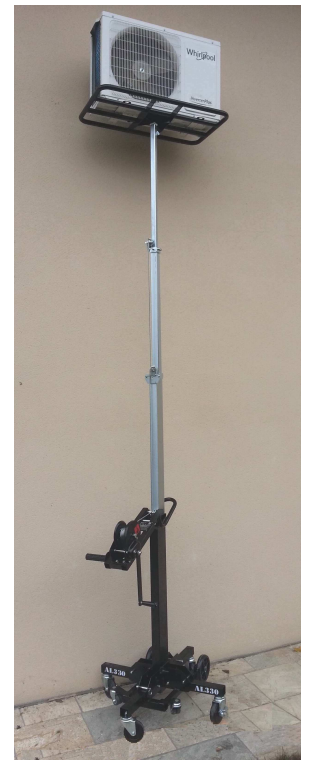
Winch with sprocket cover

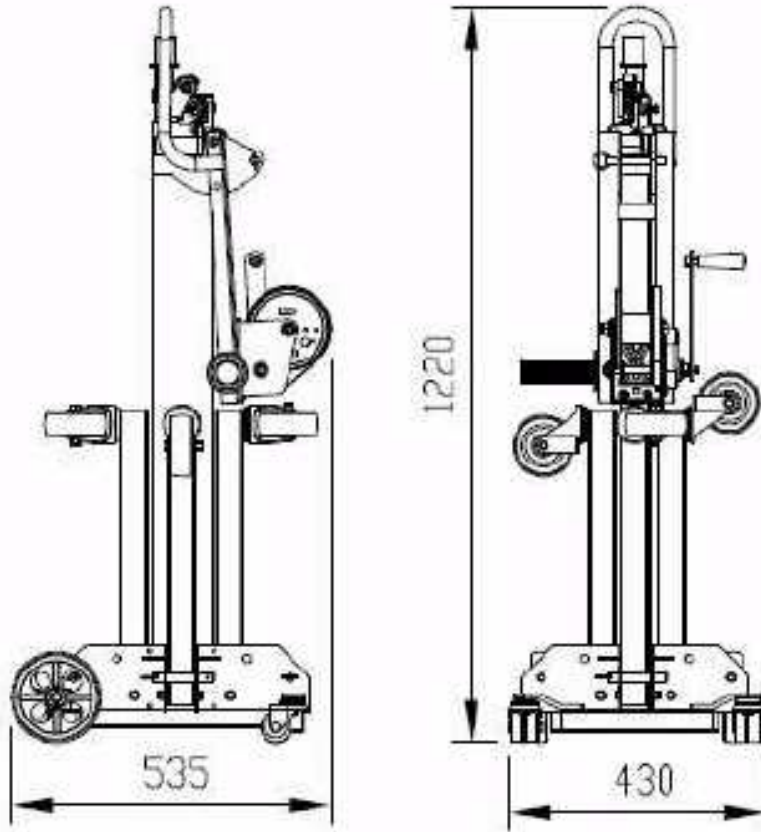


Precision mechanics with bronze rings

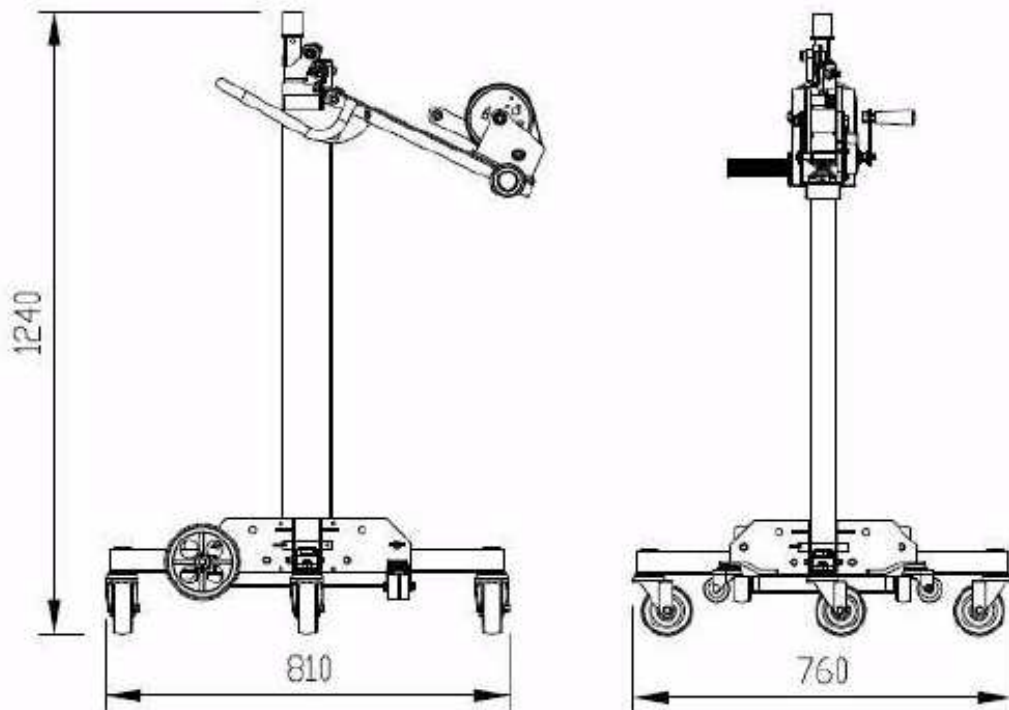


For your safety the winch is far away from the mast, the user is thus not under the load





Capacity	110 kg
Weight - Mast	41 kg
Weight - Platform	5,8 kg
Lifting height	3,3 m
Platform	770 x 460 mm
Steel wire	Ø 5 mm



CE