

Load capacity 180 kg

Small and portable,
it can easily be carried for immediate action on job site.

- Aluminum mast (anti-twist rails) with steel pulleys
- Immediate use on site
- Removable feet for easy transport in vehicle
- Manual winch with automatic brake and special lifting steel wire
- Easy transport on site
- Legs with swivel wheels Ø 76 mm and provided with a brake
- Two wheels Ø 250 mm with adjustable wheels base up to 1060 mm for improved stability with load
- Blocking mast during transport in vehicle



Load capacity	180 kg
Weight	60 kg
Lifting height with fork with Platform	2,88 m 3 m
Dimensions for transport	1169 x 778 x 471 mm



With platform



with load hook



For transport



Adjustable wheels base



BD 1 mit wood beam 180 kg - 7 m Length

Accessories

Adjustable fork



Glass cradle up to 180 kg



Jib with hook

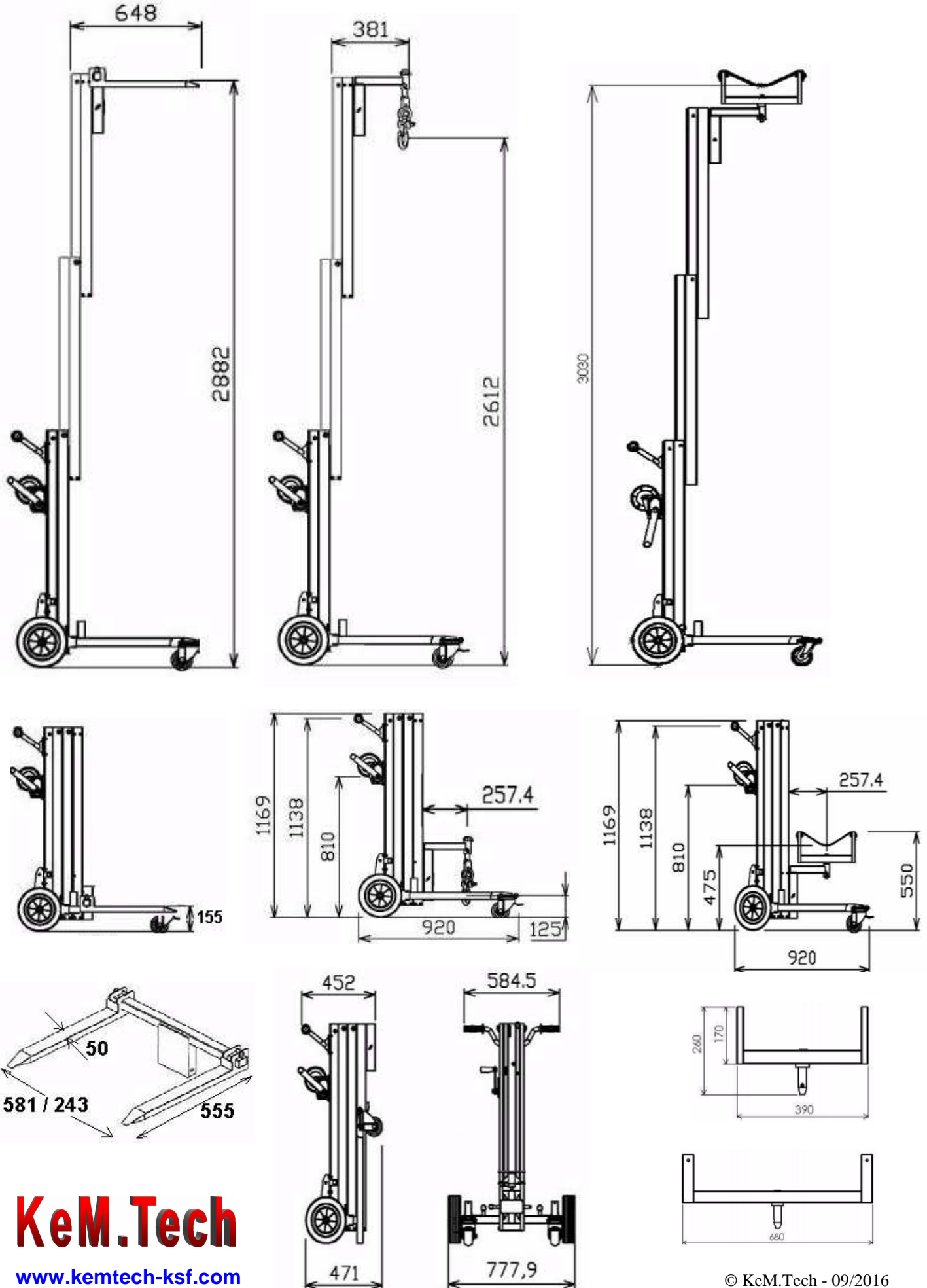


According to your need



Platform







MATERIAL LIFTER-BD2

***Max. Load capacity 180 kg (400 lbs)**

BD2 Specifications

Max. Load capacity	180 kg	(400 lbs)
Lifting height	398 cm	(13 ft)
Basic height	116 cm	(45 in)
Operate Dimension	105x92 cm	(41x36 in)
Machine weight	63.5 kg	(140 lbs)

*Specifications subject to change without notice.



Doorway access
90° product swing to allow slim, easy access through 80 cm (32") doorways.

Choice of Attachments:

• Forks



• Pipe cradle



• Jib crane



BD2 is a multi-purpose material lifter with:

- A variety of accessories for increased ease of installation of air-conditioners, garage doors, retractable awnings, electric heaters and more!
- One person easily transportable due to its compact design.
- 90° swing to allow slim, easy access through doorways.
- 250mm rear wheels for smooth ride over rough ground.
- Adjustable wheel base from 79.5cm(31 in) to 109 cm(43 in), and locking castors for increased stability.

